


INSTRUCTIONS FOR CONTINUED AIRWORTHINESS

**Aero Twin, Inc. Nose Gear Gravel Deflector Kit No. NGDQ-100
for
Quest Model 100 Aircraft**

Document No. NGDQ-ICA

**Maintenance Manual
Airworthiness Limitations
Illustrated Parts List**

LOG OF REVISIONS			
REVISIONS		PAGES REVISED AND DESCRIPTION OF REVISIONS	APPROVAL SIGNATURE
NO.	DATE		
N/C	10/10/11	Original Issue	Jason Kepler
A	09/18/17	Page 1-10 per ECO AT-171	

Information in this publication is based on data available at the time of publication and may be updated, supplemented, and automatically amended by a revision or re-issuance. All such amendments become part of and are specifically incorporated within this publication. Users are urged to keep abreast of the latest amendments to this publication through information available on Aero Twin, Inc.'s website, <http://www.aerotwin.com>. The latest revision of the Instructions for Continued Airworthiness for all of Aero Twin, Inc.'s products are available for download at that website.

<h1>Table of Contents</h1>

Section	Page
Log of Revisions.....	2
Table of Contents	3
1.0 Maintenance Manual	4
1.1 Description.....	4
1.2 Installation/Removal.....	4
1.3 Weight and Balance	5
1.4 Inspection and Maintenance Instructions	5
2.0 Airworthiness Limitations.....	8
3.0 Illustrated Parts List	9
3.1 Complete Parts List	9

1.0 Maintenance Manual

Aero Twin, Inc. Nose Gear Gravel Deflector, Kit No. NGDQ-100

1.1 Description

The Aero Twin nose gear gravel deflector for the Quest Kodiak 100 aircraft consists of a steel frame that is clamped to the nose gear fork. The steel frame extends aft around the rear of the nose wheel tire, where it supports a rubber mud flap. The gravel deflector provides protection from rock damage to the belly of the aircraft and the propeller. This gravel deflector is to be installed only on Quest Model 100 aircraft equipped with a 22 x 8.00-8 size nose gear tire. Two nose gear gravel deflector configurations are available with this kit to be used depending on the nose gear fork of the aircraft. Configuration 1 is to be used on aircraft with fork 100-410-7001. Configuration 2 is to be used on aircraft with fork P/N 100-410-7013 or later forks with thru holes for 1/4" bolts.

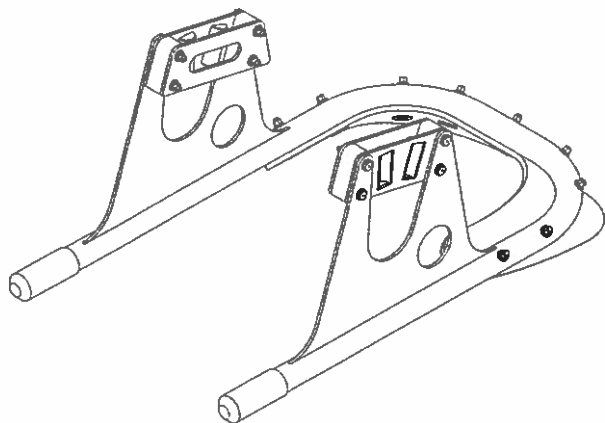


Figure 1.1.1 Nose Gear Gravel Deflector – Config. 1

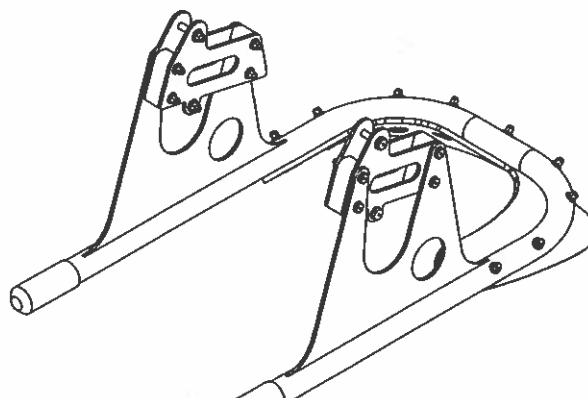


Figure 1.1.2 Nose Gear Gravel Deflector – Config. 2

1.2 Installation / Removal

1.2.1 Installation:

1. Installation of the nose gear gravel deflector is performed in accordance with the installation instructions contained in document number NGDQ-IM. See that document for further installation instructions.

1.2.2 Removal (Config. 1):

1. To remove entire nose gear gravel deflector, support the gravel deflector frame, P/N NGDQ-115, and restrain the outside clamp plates, P/N's NGDQ-112 and NGDQ-113, so that they remain in position as the gravel deflector frame is removed. Remove the four bolts from the clamps on each side of the tire.
2. Remove the inside clamp plates, P/N NGDQ-109, and clamp blocks, P/N's NGDQ-110 and NGDQ-111. Lower the gravel deflector and pull aft off of the nose gear fork. Remove the outside clamp plates.
3. Update the weight and balance as specified in section 1.3.

1.2.3 Removal (Config. 2):

1. To remove entire nose gear gravel deflector, support the gravel deflector frame, P/N NGDQ-115, and remove the six bolts from the clamps on each side of the tire.
2. Remove the clamp plates, P/N NGDQ-116, and clamp blocks, P/N's NGDQ-110 and NGDQ-111. Lower the gravel deflector and pull aft off of the nose gear fork.
3. Update the weight and balance as specified in section 1.3.

1.3 Weight and Balance

When the nose gear gravel deflector is installed or removed, the aircraft empty weight and balance must be updated to reflect the configuration change. This section includes information required for weight and balance calculations pertaining to the installation of the nose gear gravel deflector.

The nose gear gravel deflector weighs 10 pounds and is located at fuselage station -36.5, giving a total moment of -365 in-lbs. When the deflector is installed on the aircraft, the weight of the deflector must be added to the empty aircraft weight. The moment contribution from the gravel deflector must be added to the previous empty aircraft moment. The new empty aircraft center of gravity is then calculated by dividing the total moment by the total empty weight. If the gravel deflector is removed from the aircraft, the weight and balance of the aircraft must be updated by subtracting the weight and moment contribution of the gravel deflector from the empty aircraft weight and moment and dividing the new moment by the new weight to achieve the new aircraft center of gravity.

1.4 Inspection and Maintenance Instructions

1.4.1 General:

The Aero Twin Nose Gear Gravel Deflector installation is designed to be highly durable and fairly maintenance free. However, a maintenance program has been established to assure the continued airworthiness of the gravel deflector and its installation. Perform the inspections and maintenance as outlined below and document actions in the aircraft records.

1.4.2 Scheduled Inspections:

Note: First inspection should be accomplished at next aircraft inspection requiring inspection of the nose wheel assembly so that subsequent inspections coincide.

At each inspection interval for which inspection of the nose wheel assembly is required by the FAA approved Quest 100 Maintenance Manual or other FAA approved maintenance program, perform the following inspections on the nose gear gravel deflector:

- Visually inspect the steel structure for cracks, bends, dents, corrosion, or other defects.
- Visually inspect the mud flap for security and condition.
- Visually inspect the hardware and fittings for security and condition.

At intervals not to exceed 500 hours or Annual Inspection, remove the gravel deflector from the nose gear fork and perform the following inspections:

- Visually inspect the steel structure for cracks, bends, dents, corrosion, or other defects.

- Visually inspect the mud flap for security and condition.
- Visually inspect the hardware and fittings for security and condition.
- Visually inspect the aluminum clamp blocks for cracks, dents, corrosion, or other defects.
- Replace all self locking nuts used to clamp the gravel deflector to the nose gear fork.

1.4.3 Corrosion Prevention:

The steel frame of the gravel deflector and clamp plates are powder coated to protect these structures from the elements. The aluminum clamp blocks are painted. The finish on the gravel deflector parts must be inspected to insure adequate corrosion prevention. If the powder coated surface of the steel tube or clamp plate structures are marred in service or during handling, the affected area should be stripped and repainted to prevent corrosion. See paragraph 1.4.5.3. Corrosion prevention is also enhanced by keeping the structure clean. The steel, aluminum, and rubber parts of the gravel deflector should be kept free of dirt and may be cleaned using water and a mild detergent.

1.4.4 Disassembly / Assembly:

1.4.4.1 Disassembly:

- The rubber mud flap on the gravel deflector should be inspected for wear and may need to be replaced periodically when they are ineffective in protecting the aircraft from rock damage. To remove the mud flap, remove the nine MS24694S65 screws from the top of the frame along with the MS21042L3 nuts, A3235-028-935 countersunk washers, and NAS1149F0332P washers used with those screws.

1.4.4.2 Assembly:

- Refer to the Illustrated Parts List when reassembling the nose gear gravel deflector.
- A new mud flap will require the attachment screw holes to be match drilled using a #8 drill. To install the mud flap, wrap it evenly around the back of the gravel deflector frame, leaving a 0.25 to 0.50 inch gap along the sides and rear of the tire, and orienting the flap downwards 45° from horizontal in the back. Match drill the screw holes in the rubber using a #8 drill and install the mud flap using the hardware specified in the Illustrated Parts List. Tighten the hardware to compress the rubber until the flat areas of the countersunk washers are flush with the surface of the mud flap.
- Replace self-locking type nuts with new hardware when reassembling the gravel deflector.
- Use standard torques specified in chapter 20-00-03 of the Quest 100 Maintenance Manual.

1.4.5 Gravel Deflector Repair:

1.4.5.1 Hardware Replacement:

Hardware and fittings used throughout the gravel deflector are aircraft standard. Hardware should be replaced if corroded, damaged, or excessively worn. Replace self-locking type nuts with new hardware when reassembling or reinstalling the gravel deflector. Do not substitute hardware. Refer to the Illustrated Parts List for correct part numbers. If you encounter difficulty procuring replacement hardware or fittings, contact Aero Twin, Inc. at (907) 274-6166. Refer to previous section for assembly information.

1.4.5.2 Steel Tube Frame:

Before any repairs may be made to the steel tube frame, written approval must be obtained from the manufacturer, Aero Twin Inc. Contact Aero Twin Engineering Department at (907) 274-6166 or write: Aero Twin Inc., Engineering Dept., 2403 Merrill Field Dr., Anchorage AK, 99501.

1.4.5.3 Painted and Powder Coated Surfaces:

Painted and powder coated surfaces should be maintained and refinished as required to prevent corrosion. When refinishing of a painted surface is required, lightly sand the affected area using fine sandpaper or an abrasive pad (such as 3M *Scotch-Brite*[™]). When refinishing a powder coated surface, a commercial grade stripper may be used. Polish out minor surface nicks or scratches where present. Clean the area thoroughly with a clean cloth wetted with non-petroleum-based solvent to remove any residual oils and dust. Apply a zinc-chromate or equivalent primer coat, then a matching color coat of quality enamel or epoxy-type paint. Follow manufacturer's instructions in preparing and applying primer and color coats. If a surface was previously powder coated, and it is desired to keep a powder coat finish, contact Aero Twin, Inc. at (907)274-6166.

2.0

Airworthiness Limitations

Aero Twin, Inc. Nose Gear Gravel Deflector Kit No. NGDQ-100

The Airworthiness Limitations section is FAA approved and specifies maintenance required under paragraphs 43.16 and 91.403 of the Federal Aviation Regulations unless an alternative program has been FAA approved.

There are no airworthiness limitations for this modification.

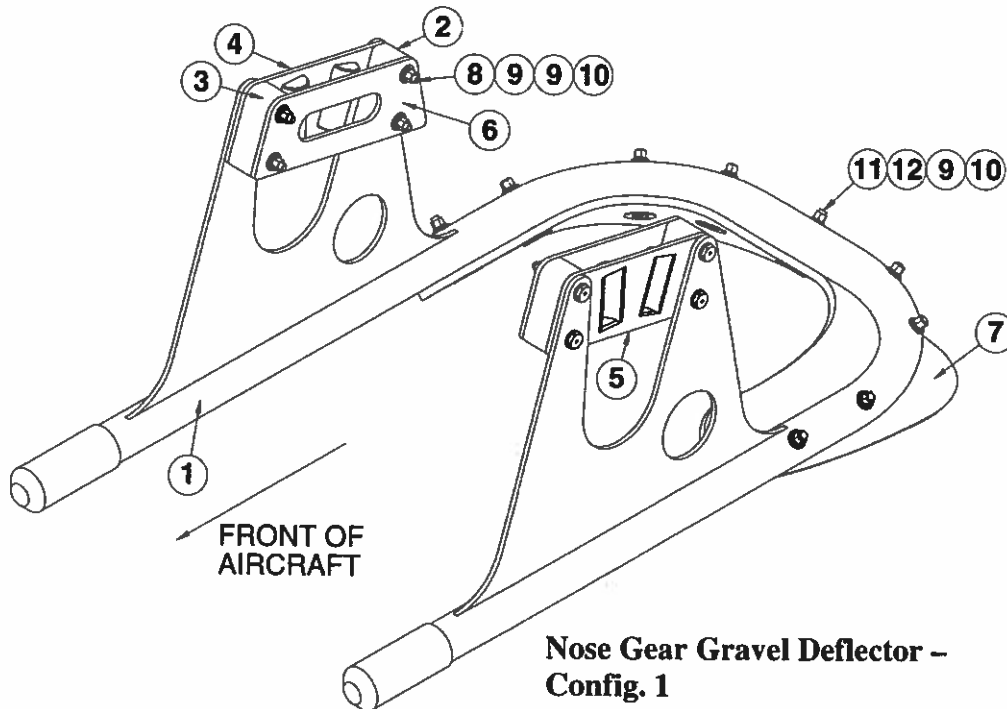
-----End of Section 2.0 Airworthiness Limitations-----

3.0 Illustrated Parts List

Aero Twin, Inc. Nose Gear Gravel Deflector, Kit No. NGDQ-100

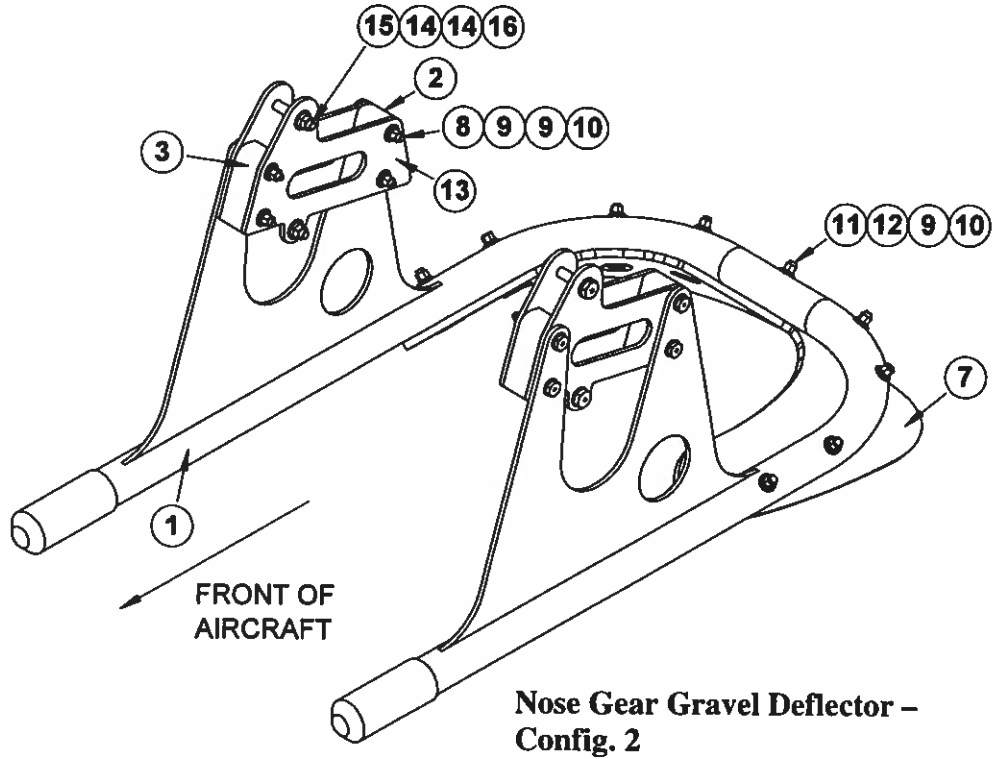
3.1 Complete Parts List:

The following is a complete parts list for the NGDQ-100 nose gear gravel deflector including all installation hardware. The installation instruction for those items is detailed in document NGDQ-IM, which was supplied with the gravel deflector kit STC package.



Item	Qty	Part Number	Item Description
1	1	NGDQ-115	Gravel Deflector Frame
2	2	NGDQ-111	Aft Clamp Block
3	2	NGDQ-110	Forward Clamp Block
4	1	NGDQ-112	Right Outside Clamp Plate
5	1	NGDQ-113	Left Outside Clamp Plate
6	2	NGDQ-109	Inside Clamp Plate
7	1	NGDQ-103	Mud Flap
8	8	AN3-14A	Bolt
9	25	NAS1149F0332P	Washer
10	17	MS21042L3	Nut
11	9	MS24694S65	Countersunk Screw
12	9	A3235-028-935	Countersunk Washer

Figure 3.1.1



Item	Qty	Part Number	Item Description
1	1	NGDQ-115	Gravel Deflector Frame
2	2	NGDQ-111	Aft Clamp Block
3	2	NGDQ-110	Forward Clamp Block
7	1	NGDQ-103	Mud Flap
8	8	AN3-14A	Bolt
9	25	NAS1149F0332P	Washer
10	17	MS21042L3	Nut
11	9	MS24694S65	Countersunk Screw
12	9	A3235-028-935	Countersunk Washer
13	4	NGDQ-116	Clamp Plate
14	4	AN4-13A	Bolt
15	8	NAS1149F0432P	Washer
16	4	MS21042L4	Nut

Figure 3.1.2